

RECOMMENDED INSTALLATION

Gooseneck

GOOSENECK INSTALLATION SPECIFICATIONS

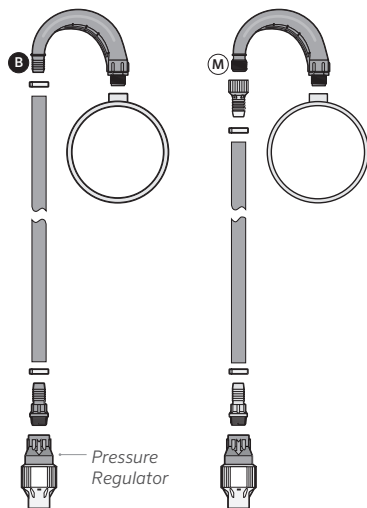
- If using a sealant, use only Teflon tape
- For female NPT inlet models, attach gooseneck to the mainline using galvanized nipple or Senninger's impact-modified thermoplastic nipple. PVC not recommended.
- Thread the gooseneck by hand into the mainline. **Do not over-tighten** and use caution to avoid cross-threading.
- If slight unthreading is required to adjust position, use the nipple hex area and not the gooseneck.
- Be sure to employ the correct-sized hose clamps to secure the hose drops to the gooseneck. If using a screw-type clamp, use just one and only hand-tighten.
- If using semi-rigid or rigid drops, they should be no longer than 1 ft (0.38 m) below the truss rod.

GOOSENECK INSTALLATION OPTIONS

180° SINGLE GOOSENECK OPTIONS

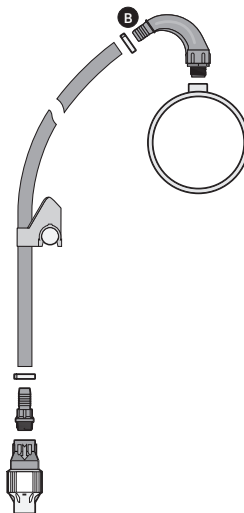
FLEXIBLE HOSE
(barb outlet)

SEMI-RIGID (POLY)
(male NPT outlet)



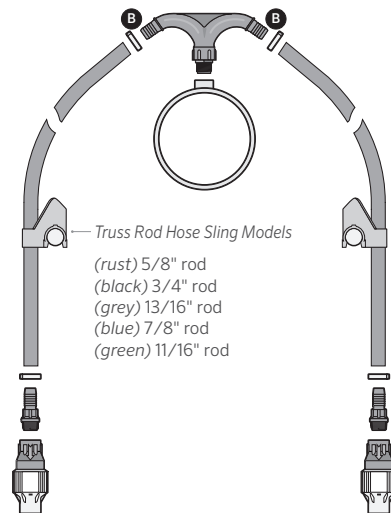
125° SINGLE GOOSENECK

FLEXIBLE HOSE AND
TRUSS ROD HOSE SLINGS
(barb outlet)



125° DOUBLE GOOSENECK

FLEXIBLE HOSE AND
TRUSS ROD HOSE SLINGS
(barb outlet)



Truss Rod Hose Sling Models
(rust) 5/8" rod
(black) 3/4" rod
(grey) 13/16" rod
(blue) 7/8" rod
(green) 11/16" rod

TRUSS ROD HOSE SLINGS INSTALLATION

- Be sure to employ truss rod hose slings with all 125 gooseneck models
- Insert the drop hose through the opening on the truss rod hose sling before adding the regulator or applicator. If the applicator is already on the drop hose, gently open the seam on the back of the truss rod hose sling and slide the hose into the opening.
- Once the hose is through the hole in the truss rod hose sling, snap the bottom trough into the desired position onto the truss rod.

Contact Senninger's Technical Support department with any questions.