

RECOMMENDED INSTALLATION

LDN®

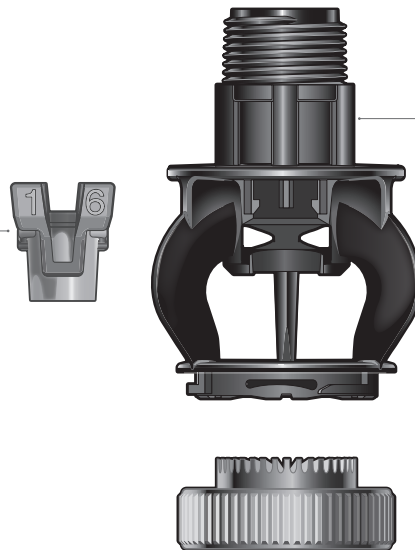
COMPONENT ASSEMBLY



UNIVERSAL MAGNUM WEIGHT™
0.85 LBS (0.39 KG)
UNIMAGWGT



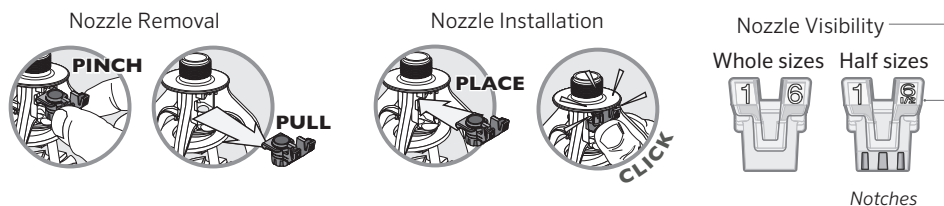
LDN SHROUD WITH CLIP
LDNSCUP3



LDN UP3 BRACKET ASSEMBLY
LDNBRASMUP3

UP3® NOZZLES
#04 - #26
UP3NZ04 - UP3NZ26
(Depending on deflector)

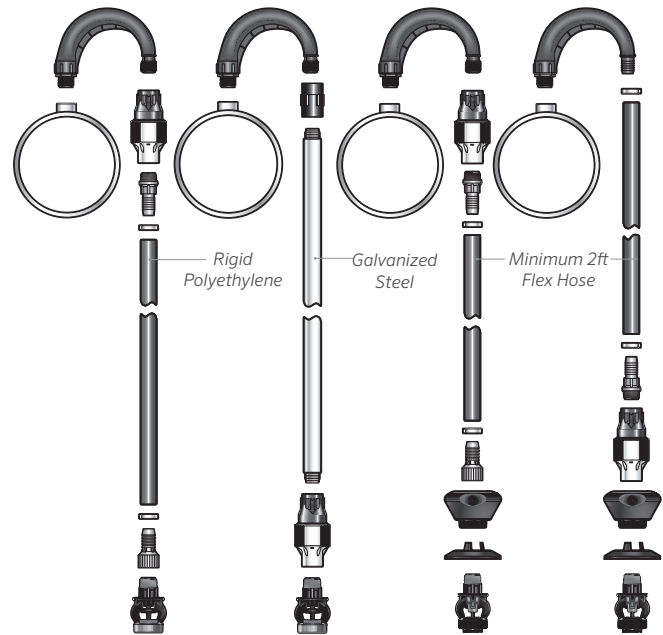
UP3 NOZZLE REMOVAL AND INSTALLATION



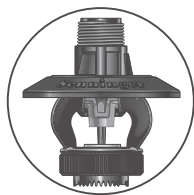
Installation Specifications

LDN® SYSTEM ASSEMBLY

- The LDN can be mounted on rigid drops or flexible hose drops.
- When using the Senninger Universal Magnum Weight, thread onto the LDN bracket base.
- Conventional slip over weights can be used with the LDN.
- Mount the LDN no less than 1.5 - 9 ft (0.46 - 2.74 m) above the ground.

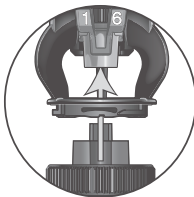


Minimum ground clearance of 1.5ft - 9ft (0.46 - 2.74 m)



LDN SHROUD WITH CLIP

When using the LDN Shroud with Clip, make sure to use it immediately beneath the Universal Magnum Weight or immediately beneath the pressure regulator.



PART-CIRCLE PAD ASSEMBLY

With the nozzle number in the bracket facing you, center the tab on the Part-Circle Pad behind the nozzle before twisting to lock it in.

PRESSURE REGULATOR LOCATION

1. Pressure regulators can be installed at the top of the drop, or near the applicator.
2. Always follow your customized printout for proper pressure regulator placement.

Important: To maintain product warranty and maximize drop component life, refer to the information and diagrams here.

LDN SYSTEM DESIGN CRITERIA					
	Mini Pad	Single Pad	Double Pad	Triple	Part-Circle Pad
Nozzle Sizes*					
Minimum	#04 1/16" (1.59 mm)	#10 5/32" (3.97 mm)	#15 15/64" (5.95 mm)	#20 5/16" (7.94 mm)	#06 3/32" (2.38 mm)
Maximum*	#09 9/64" (3.57 mm)	#14 7/32" (5.56 mm)	#26 13/32" (10.32 mm)	#26 13/32" (10.32 mm)	#18 9/32" (7.14 mm)
Flows					
Minimum	0.27 gpm (61 L/hr)	1.74 gpm (3.95 L/hr)	3.93 gpm (893 L/hr)	6.99 gpm (1588 L/hr)	0.62 gpm (141 L/hr)
Maximum	2.56 gpm (581 L/hr)	6.25 gpm (1420 L/hr)	21.2 gpm (4811 L/hr)	21.2 gpm (4811 L/hr)	10.4 gpm (2351 L/hr)
Maximum Spacing**					
at 6 ft (1.8m) ground clearance	7 ft (2.13 m)	7 ft (2.13 m)	7 ft (2.13 m)	7 ft (2.13 m)	N/A
Pressure at the Nozzle					
Minimum	6 psi (0.41 bar)	6 psi (0.41 bar)	6 psi (0.41 bar)	6 psi (0.41 bar)	6 psi (0.41 bar)
Maximum	20 psi (1.38 bar)	20 psi (1.38 bar)	20 psi (1.38 bar)	20 psi (1.38 bar)	20 psi (1.38 bar)

* It is recommended that larger nozzle sizes be used only on soils that can handle higher application rates.

** For optimum performance Senninger recommends the use of maximum spacing for 1-2 spans only.

Pads available in concave (blue), convex (green) and flat (black) in smooth, medium groove, and deep groove based on desired trajectory and throw.