

RECOMMENDED INSTALLATION

# Super Spray<sup>®</sup>

## COMPONENT ASSEMBLY

### SUPER SPRAY DEFLECTOR PADS

#### GROOVED:

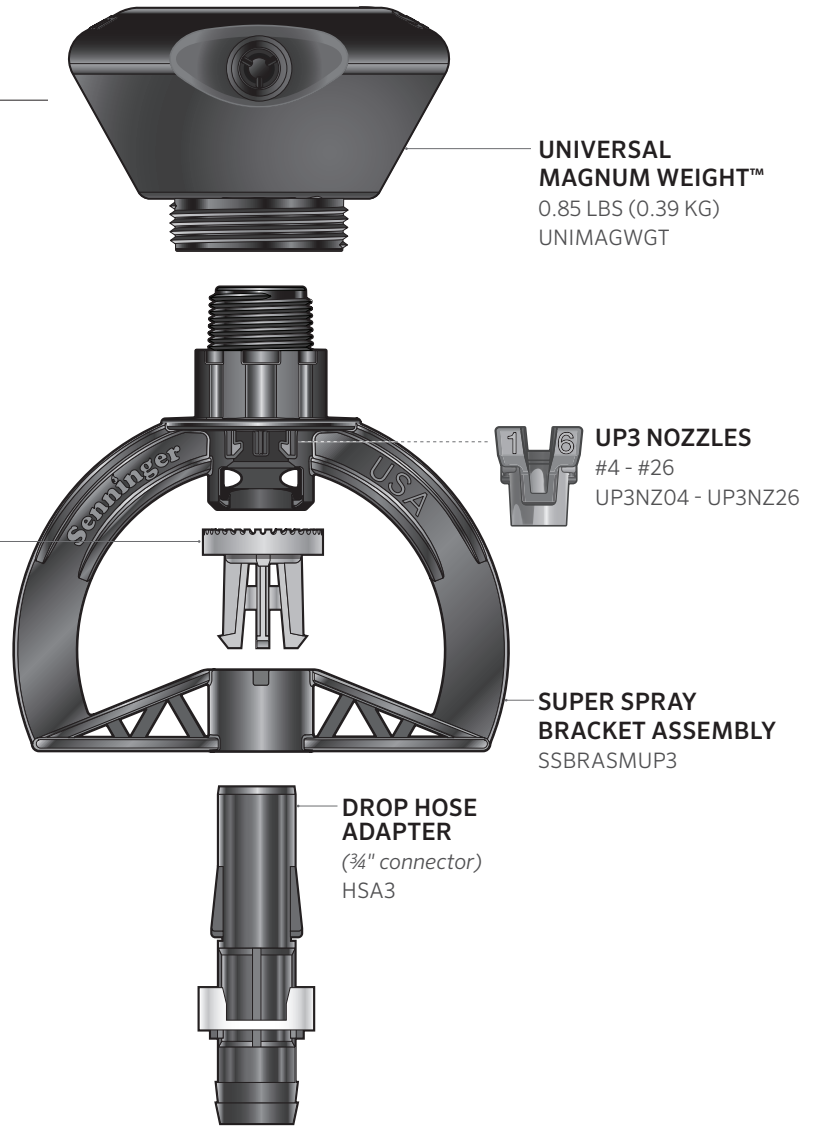
Flat 36 medium-groove ( <i>black</i> )	SSPFL36MG
Flat 24 deep-groove ( <i>black</i> )	SSPFL24DG
Flat 35 deep-groove ( <i>black</i> )	SSPFL36DG
Flat 48 deep-groove ( <i>black</i> )	SSPFL48DG
Concave 36 medium-groove ( <i>blue</i> )	SSPCC36MG
Concave 24 deep-groove ( <i>blue</i> )	SSPCC24DG
Concave 36 deep-groove ( <i>blue</i> )	SSPCC36DG
Concave 48 deep-groove ( <i>blue</i> )	SSPCC48DG
Convex 36 medium-groove ( <i>green</i> )	SSPCV36MG
Convex 24 deep-groove ( <i>green</i> )	SSPCV24DG
Convex 36 deep-groove ( <i>green</i> )	SSPCV36DG
Convex 48 deep-groove ( <i>green</i> )	SSPCV48DG

#### SMOOTH:

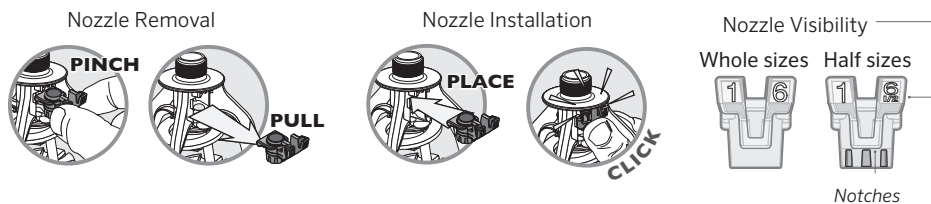
Flat ( <i>black</i> )	SSPFL36MG
Flat mini ( <i>black</i> )	SSPMFLSM
Concave ( <i>blue</i> )	SSPCCSM
Concave mini ( <i>blue</i> )	SSPMCCSM
Convex ( <i>green</i> )	SSPCVSM
Convex mini ( <i>green</i> )	SSPMCVSM

#### COTTON & CORN

Cotton ( <i>white</i> )	SSPCOT
Cotton mini ( <i>white</i> )	SSPMCOT
Corn ( <i>red</i> )	SSPCORN
Corn mini ( <i>red</i> )	SSPMCORN



## UP3 NOZZLE REMOVAL AND INSTALLATION



## Installation Specifications

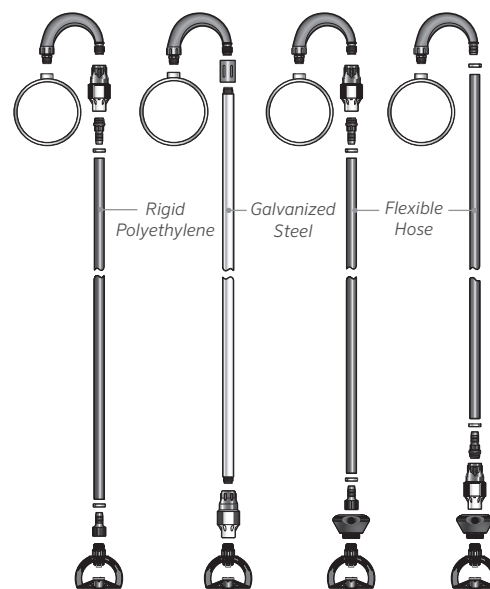
### SUPER SPRAY® SYSTEM ASSEMBLY

- The Super Spray can be mounted on rigid drops or flexible hose drops.
- When using flexible hose a weight is recommended.
- When using the Senninger Universal Magnum Weight, thread onto the LDN bracket base.
- Conventional slip over weights can be used with the Super Spray.
- Mount the Super Spray no less than 1.5 - 9ft (0.46 - 2.74 m) above ground.
- See the Senninger Gooseneck brochure for additional mounting options.

### PRESSURE REGULATOR LOCATION

- Pressure regulators can be installed at the top of the drop, or near the applicator.
- Always follow your customized printout for proper pressure regulator placement.

*NOTE: To maintain product warranty and maximize drop component life, refer to the information and diagrams.*



Minimum ground clearance of 1.5 - 9ft (0.46 - 2.74 m)

SUPER SPRAY SYSTEM DESIGN CRITERIA	Flat (Black)	Concave (Blue)	Convex (Green)
<b>Nozzle Sizes</b>			
Minimum	#04 1/16" (1.59 mm)	#04 1/16" (1.59 mm)	#04 1/16" (1.59 mm)
Maximum*	#26 13/32" (10.32 mm)	#26 13/32" (10.32 mm)	#26 13/32" (10.32 mm)
<b>Flows</b>			
Minimum	0.27 gpm (61 L/hr)	0.27 gpm (61 L/hr)	0.27 gpm (61 L/hr)
Maximum	30.0 gpm (6805 L/hr)	30.0 gpm (6805 L/hr)	30.0 gpm (6805 L/hr)
<b>Maximum Spacing**</b>			
at 6 ft (1.8 m) ground clearance	10 ft (3 m)	10 ft (3 m)	10 ft (3 m)
<b>Pressure at the Nozzle</b>			
Minimum	6 psi (0.41 bar)	6 psi (0.41 bar)	6 psi (0.41 bar)
Maximum	40 psi (2.76 bar)	40 psi (2.76 bar)	40 psi (2.76 bar)

\* It is recommended that larger nozzle sizes be used only on soils that can handle higher application rates.

\*\* For optimum performance, Senninger recommends the use of maximum spacing for 1-2 spans only.