

PR-HF

PRESSURE REGULATOR - HIGH FLOW

Specifications

The pressure regulator shall be capable of operating at a constant, factory preset, non-adjustable outlet pressure of 10, 15, 20, 25, 30, 40, or 50 PSI (0.69, 1.03, 1.38, 1.72, 2.07, 2.76, or 3.45 bar) with a flow range between 10 - 32 GPM (2271 - 7268 L/hr).

The pressure regulator shall maintain the nominal pressure at a minimum of 5 PSI (0.34 bar) above model inlet pressure and a maximum of 80 PSI (5.52 bar) above nominal model pressure*. Refer to the Model Numbers Chart on page 2 for outlet flow based on the model. Always install downstream from all shut-off valves. Recommended for outdoor use only. Not NSF certified.

All pressure regulator models shall be equipped with one of these inlet-x-outlet configurations:

Inlet

- 1-1/4-inch Female National Pipe Thread (FNPT)
- 1-1/4-inch Female British Standard Pipe Thread (FBSPT)

Outlet

- 1-inch Female National Pipe Thread (FNPT)
- 1-1/4-inch Female National Pipe Thread (FNPT)
- 1-inch Female British Standard Pipe Thread (FBSPT)
- 1-1/4-inch Female British Standard Pipe Thread (FBSPT)

The upper housing, lower housing, and internal molded parts shall be of engineering-grade thermoplastics with internal elastomeric seals and a reinforced elastomeric diaphragm. Regulation shall be accomplished by a fixed stainless steel compression spring, which shall be enclosed in a chamber isolated from the normal water passage.

Outlet pressure and flow shall be clearly marked on the outside of each regulator.

The pressure regulator shall carry a two-year manufacturer's warranty on materials, workmanship, and performance.

The pressure regulator shall be manufactured by Senninger Irrigation in Clermont, Florida. Senninger is a Hunter Industries Company.

* Please consult the factory for applications outside of recommended guidelines.

Physical

1-1/4" FNPT x 1" FNPT model (shown on right)

1-1/4" FBSPT x 1" FBSPT model

Overall Length 5.6 inches (14.1 cm)

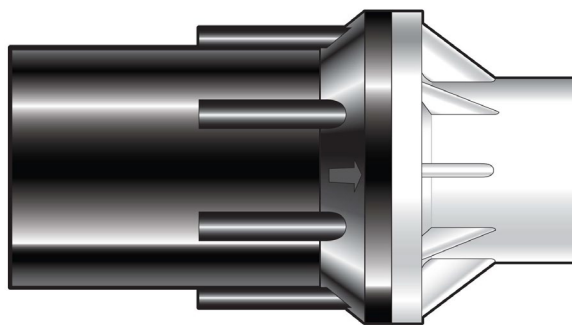
Overall Width 2.9 inches (7.4 cm)

1-1/4" FNPT x 1-1/4" FNPT model

1-1/4" FBSPT x 1-1/4" FBSPT model

Overall Length 5.8 inches (14.7 cm)

Overall Width 2.9 inches (7.4 cm)





PR-HF

PRESSURE REGULATOR - HIGH FLOW

Model Numbers

Model #	Flow Range	Preset Operating Pressure	Maximum Inlet Pressure
PR10HF5F5FV (1.25" F x 1.25" F NPT) or PR10HF5F5FBV (1.25" F x 1.25" F BSPT) or PR10HF5F4FBV (1.25" F x 1" F BSPT)	10 - 32 GPM (2271 - 7268 L/hr)	10 PSI (0.69 bar)	90 psi (6.20 bar)
PR15HF5F5FV (1.25" F x 1.25" F NPT) or PR15HF5FB5FBV (1.25" F x 1.25" F BSPT) or PR15HF5F4FBV (1.25" F x 1" F BSPT)	10 - 32 GPM (2271 - 7268 L/hr)	15 PSI (1.03 bar)	95 psi (6.55 bar)
PR20HF5F5FV (1.25" F x 1.25" F NPT) or PR20HF5FB5FBV (1.25" F x 1.25" F BSPT) or PR20HF5F4FBV (1.25" F x 1" F BSPT)	10 - 32 GPM (2271 - 7268 L/hr)	20 PSI (1.38 bar)	100 psi (6.89 bar)
PR25HF5F5FV (1.25" F x 1.25" F NPT) or PR25HF5FB5FBV (1.25" F x 1.25" F BSPT) or PR25HF5F4FBV (1.25" F x 1" F BSPT)	10 - 32 GPM (2271 - 7268 L/hr)	25 PSI (1.72 bar)	105 psi (7.24 bar)
PR30HF5F5FV (1.25" F x 1.25" F NPT) or PR30HF5FB5FBV (1.25" F x 1.25" F BSPT) or PR30HF5F4FBV (1.25" F x 1" F BSPT)	10 - 32 GPM (2271 - 7268 L/hr)	30 PSI (2.07 bar)	110 psi (7.58 bar)
PR40HF5F5FV (1.25" F x 1.25" F NPT) or PR40HF5FB5FBV (1.25" F x 1.25" F BSPT) or PR40HF5F4FBV (1.25" F x 1" F BSPT)	10 - 32 GPM (2271 - 7268 L/hr)	40 PSI (2.76 bar)	120 psi (8.27 bar)
PR50HF5F5FV (1.25" F x 1.25" F NPT) or PR50HF5FB5FBV (1.25" F x 1.25" F BSPT) or PR50HF5F4FBV (1.25" F x 1" F BSPT)	10 - 32 GPM (2271 - 7268 L/hr)	50 PSI (3.45 bar)	130 psi (8.96 bar)